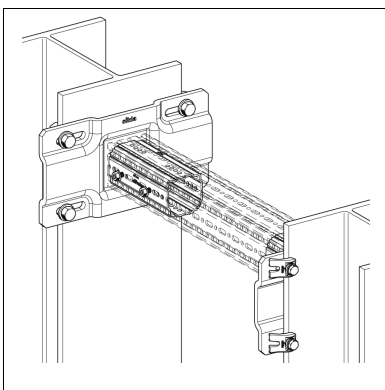
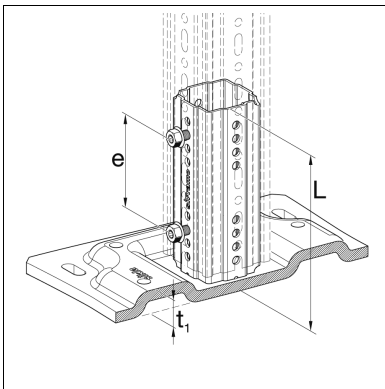
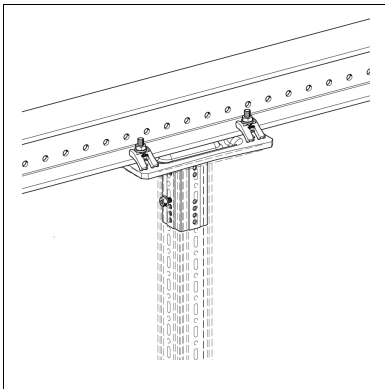


WBD F 80-80/120



End Support WBD F 80

Group: A421

Application

Plug-in component designed to create a square end plate at the open end of a Beam Section TP F80 or a Beam Bracket/Cantilever bracket AK F80. Variation "T" with octagonal insert allows full utilisation of beam section within the space required by the End Support WBD itself.

Installation

Depending on the situation, different options are recommended:

- Directly to building structure: 4 x suitable wall anchors and 4 Self Forming Screws FLS applied to the square/octagonal insert
- To traditional steel beams between 80 – 310 mm flange dimensions: 1 x Assembly Set 5P M12 S, M16 S and 4 Self Forming Screws FLS applied to the square/octagonal insert
- To Sikla Simotec steel beams 100/120: with Bracket Plates FV 100/120 when positive mechanical connection required

The Beam Section TP F 80 connected to the End Support WBD F 80 has to be screwed with 4 Self Forming Screws FLS F. On each of the opposite sides 2 Self Forming Screws FLS F are necessary. The permissible distance between base plate WBD and profile must not exceed 30 mm.

Technical Data

Type	Base plate finish	for flange width [mm]	Dimensions of base plate [mm]	Slots in base plate [l x b]
WBD F 80-80/120	flat	80 - 120	220 x 220 x 12	30 x 14
WBD-P F 80-121/160	corrugated	121 - 160	320 x 260 x 12	20 x 14
WBD-P F 80-161/200	corrugated	161 - 200	320 x 310 x 12	20 x 18
WBD-P F 80-201/310	corrugated	201 - 310	420 x 220 x 12	55 x 18
WBD F 80-T	flat	80 - 120	220 x 220 x 12	30 x 14

Type	e [mm]	L [mm]	t ₁ [mm]	Slots in base plate for
WBD F 80-80/120	max. distance	202	-	M12
WBD-P F 80-121/160	max. distance	202	27	M12
WBD-P F 80-161/200	max. distance	202	27	M16
WBD-P F 80-201/310	max. distance	202	27	M16
WBD F 80-T	max. distance	152	-	M12

Configuration: Plate welded to square F 80 resp. octagonal element F 80 (only WBD F 80-T)

Material: Steel, HCP

Approvals / Conformity

CE mark (Declaration of performance see www.sikla.com/service/downloads)

Type	W [kg]	Quantity [pack]	Part number
WBD F 80-80/120	5.2	1	192801
WBD-P F 80-121/160	8.7	1	117164
WBD-P F 80-161/200	10.2	1	117165
WBD-P F 80-201/310	9.4	1	117166
WBD F 80-T	4.8	1	192849