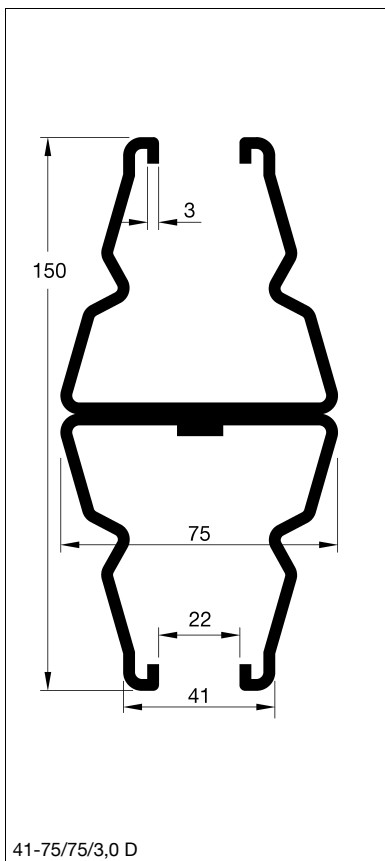
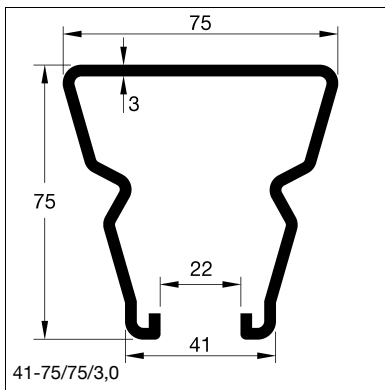


Perfil MS 41-75/75/3,0

Carga admissível com aplicação de carga centralizada

L [cm]	41-75/75/3,0 [N]	41-75/75/3,0 D [N]
20	38095	113507
40	19040	56738
60	12684	37809
80	9504	28339
100	7594	22653
120	6319	18859
140	5406	16146
160	4721	14109
180	4186	12522
200	3758	11250
220	3406	10208
240	3112	9338
260	2863	8600
280	2648	7966
300	2383	7416
320	2076	6933
340	1820	6505
360	1605	6124
380	1422	5782
400	1265	5473
420	1128	5193
440	1009	4937
460	905	4702
480	812	4487
500	729	4287
520	656	3958
540	589	3633
560	529	3342
580	474	3079
600	424	2840



Cálculos de acordo com RAL GZ-655-C

$$\sigma_{zul} \leq 185 \text{ N/mm}^2$$

$$f \leq L/200$$

